

# DDR2 SDRAM VLP Registered DIMM

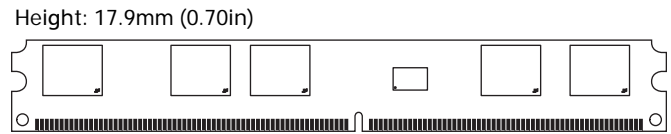
MT9HVF3272(P) – 256MB  
MT9HVF6472(P) – 512MB  
MT9HVF12872(P) – 1GB

For component data sheets, refer to Micron's Web site: [www.micron.com/products](http://www.micron.com/products)

## Features

- 240-pin, registered dual in-line memory module, very low profile, ATCA form factor
- Fast data transfer rates: PC2-3200, PC2-4200, PC2-5300, or PC2-6400
- Supports ECC error detection and correction
- VDD = VDDQ = +1.8V
- VDDSPD = +1.7V to +3.6V
- JEDEC-standard 1.8V I/O (SSTL\_18-compatible)
- Differential data strobe (DQS, DQS#) option
- 4n-bit prefetch architecture
- DLL to align DQ and DQS transitions with CK
- Single rank
- Multiple internal device banks for concurrent operation
- Programmable CAS# latency (CL)
- Posted CAS# additive latency (AL)
- WRITE latency = READ latency - 1 tCK
- Programmable burst lengths (BL): 4 or 8
- Adjustable data-output drive strength
- 64ms, 8,192-cycle refresh
- On-die termination (ODT)
- Serial presence-detect (SPD) with EEPROM
- Gold edge contacts

Figure 1: 240-Pin RDIMM (ATCA form factor)



## Options

- Parity
- Package
  - 240-pin DIMM (lead-free)
- Frequency/CAS latency<sup>1</sup>
  - 2.5ns @ CL = 5 (DDR2-800)<sup>2</sup>
  - 2.5ns @ CL = 6 (DDR2-800)<sup>2</sup>
  - 3.0ns @ CL = 5 (DDR2-667)
  - 3.75ns @ CL = 4 (DDR2-533)
  - 5.0ns @ CL = 3 (DDR2-400)
- PCB height
  - 17.9mm (0.70in)

## Marking

- Parity: P
- Package: Y
- Frequency/CAS latency<sup>1</sup>:
  - 2.5ns @ CL = 5 (DDR2-800)<sup>2</sup>: -80E
  - 2.5ns @ CL = 6 (DDR2-800)<sup>2</sup>: -800
  - 3.0ns @ CL = 5 (DDR2-667): -667
  - 3.75ns @ CL = 4 (DDR2-533): -53E
  - 5.0ns @ CL = 3 (DDR2-400): -40E

Notes: 1. CL = CAS (READ) latency; registered mode will add one clock cycle to CL.  
2. Not available in 256MB module density.

Table 1: Key Timing Parameters

Speed Grade	Industry Nomenclature	Data Rate (MT/s)				t <sub>RCD</sub> (ns)	t <sub>RP</sub> (ns)	t <sub>RC</sub> (ns)
		CL = 6	CL = 5	CL = 4	CL = 3			
-80E	PC2-6400	–	800	533	–	12.5	12.5	55
-800	PC2-6400	800	667	533	–	15	15	55
-667	PC2-5300	–	667	533	400	15	15	55
-53E	PC2-4200	–	–	533	400	15	15	55
-40E	PC2-3200	–	–	400	400	15	15	55



**Table 2: Addressing**

	256MB	512MB	1GB
Refresh count	8K	8K	8K
Row address	8K A[12:0]	16K A[13:0]	16K A[13:0]
Device bank address	4 BA[1:0]	4 BA[1:0]	8 BA[2:0]
Device page size per bank	1KB	1KB	1KB
Device configuration	256Mb (32 Meg x 8)	512Mb (64 Meg x 8)	1Gb (128 Meg x 8)
Column address	1K A[9:0]	1K A[9:0]	1K A[9:0]
Module rank address	1 S0#	1 S0#	1 S0#

**Table 3: Part Numbers and Timing Parameters – 256MB Modules**

Base device: MT47H32M8, 256Mb DDR2 SDRAM

Part Number <sup>1</sup>	Module Density	Configuration	Module Bandwidth	Memory Clock/ Data Rate	Latency (CL - <sup>t</sup> RCD - <sup>t</sup> RP)
MT9HVF3272(P)Y-667__	256MB	32 Meg x 72	5.3 GB/s	3.0ns/667 MT/s	5-5-5
MT9HVF3272(P)Y-53E__	256MB	32 Meg x 72	4.3 GB/s	3.75ns/533 MT/s	4-4-4
MT9HVF3272(P)Y-40E__	256MB	32 Meg x 72	3.2 GB/s	5.0ns/400 MT/s	3-3-3

**Table 4: Part Numbers and Timing Parameters – 512MB Modules**

Base device: MT47H64M8, 512Mb DDR2 SDRAM

Part Number <sup>1</sup>	Module Density	Configuration	Module Bandwidth	Memory Clock/ Data Rate	Latency (CL - <sup>t</sup> RCD - <sup>t</sup> RP)
MT9HVF6472(P)Y-80E__	512MB	64 Meg x 72	6.4 GB/s	2.5ns/800 MT/s	5-5-5
MT9HVF6472(P)Y-800__	512MB	64 Meg x 72	6.4 GB/s	2.5ns/800 MT/s	6-6-6
MT9HVF6472(P)Y-667__	512MB	64 Meg x 72	5.3 GB/s	3.0ns/667 MT/s	5-5-5
MT9HVF6472(P)Y-53E__	512MB	64 Meg x 72	4.3 GB/s	3.75ns/533 MT/s	4-4-4
MT9HVF6472(P)Y-40E__	512MB	64 Meg x 72	3.2 GB/s	5.0ns/400 MT/s	3-3-3

**Table 5: Part Numbers and Timing Parameters – 1GB Modules**

Base device: MT47H128M8, 1Gb DDR2 SDRAM

Part Number <sup>1</sup>	Module Density	Configuration	Module Bandwidth	Memory Clock/ Data Rate	Latency (CL - <sup>t</sup> RCD - <sup>t</sup> RP)
MT9HVF12872(P)Y-80E__	1GB	128 Meg x 72	6.4 GB/s	2.5ns/800 MT/s	5-5-5
MT9HVF12872(P)Y-800__	1GB	128 Meg x 72	6.4 GB/s	2.5ns/800 MT/s	6-6-6
MT9HVF12872(P)Y-667__	1GB	128 Meg x 72	5.3 GB/s	3.0ns/667 MT/s	5-5-5
MT9HVF12872(P)Y-53E__	1GB	128 Meg x 72	4.3 GB/s	3.75ns/533 MT/s	4-4-4
MT9HVF12872(P)Y-40E__	1GB	128 Meg x 72	3.2 GB/s	5.0ns/400 MT/s	3-3-3

- Notes:
1. All part numbers end with a two-place code (not shown), designating component and PCB revisions. Consult factory for current revision codes. Example: MT9HVF6472Y-667C2.
  2. Data sheets for the base device parts can be accessed at [www.micron.com/products/ddr2](http://www.micron.com/products/ddr2).



## Pin Assignments and Descriptions

Table 6: Pin Assignments

240-Pin DDR2 RDIMM Front								240-Pin DDR2 RDIMM Back							
Pin	Symbol	Pin	Symbol	Pin	Symbol	Pin	Symbol	Pin	Symbol	Pin	Symbol	Pin	Symbol		
1	VREF	31	DQ19	61	A4	91	Vss	121	Vss	151	Vss	181	VDDQ	211	DM5/ DQS14
2	Vss	32	Vss	62	VDDQ	92	DQS5#	122	DQ4	152	DQ28	182	A3	212	NC/DQS14#
3	DQ0	33	DQ24	63	A2	93	DQS5	123	DQ5	153	DQ29	183	A1	213	Vss
4	DQ1	34	DQ25	64	VDD	94	Vss	124	Vss	154	Vss	184	VDD	214	DQ46
5	Vss	35	Vss	65	Vss	95	DQ42	125	DM0/ DQS9	155	DM3/ DQS12	185	CK0	215	DQ47
6	DQS0#	36	DQS3#	66	Vss	96	DQ43	126	NC/ DQS9#	156	NC/ DQS12#	186	CK0#	216	Vss
7	DQS0	37	DQS3	67	VDD	97	Vss	127	Vss	157	Vss	187	VDD	217	DQ52
8	Vss	38	Vss	68 <sup>2</sup>	NC/PAR_IN	98	DQ48	128	DQ6	158	DQ30	188	A0	218	DQ53
9	DQ2	39	DQ26	69	VDD	99	DQ49	129	DQ7	159	DQ31	189	VDD	219	Vss
10	DQ3	40	DQ27	70	A10	100	Vss	130	Vss	160	Vss	190	BA1	220	RFU
11	Vss	41	Vss	71	BA0	101	SA2	131	DQ12	161	CB4	191	VDDQ	221	RFU
12	DQ8	42	CB0	72	VDDQ	102	NC	132	DQ13	162	CB5	192	RAS#	222	Vss
13	DQ9	43	CB1	73	WE#	103	Vss	133	Vss	163	Vss	193	S0#	223	DM6/ DQS15
14	Vss	44	Vss	74	CAS#	104	DQS6#	134	DM1/ DQS10	164	DM8/ DQS17	194	VDDQ	224	NC/DQS15#
15	DQS1#	45	DQS8#	75	VDDQ	105	DQS6	135	NC/ DQS10#	165	NC/ DQS17#	195	ODT0	225	Vss
16	DQS1	46	DQS8	76	S1#	106	Vss	136	Vss	166	Vss	196	NC/A13 <sup>3</sup>	226	DQ54
17	Vss	47	Vss	77	ODT1	107	DQ50	137	RFU	167	CB6	197	VDD	227	DQ55
18	RESET#	48	CB2	78	VDDQ	108	DQ51	138	RFU	168	CB7	198	Vss	228	Vss
19	NC	49	CB3	79	Vss	109	Vss	139	Vss	169	Vss	199	DQ36	229	DQ60
20	Vss	50	Vss	80	DQ32	110	DQ56	140	DQ14	170	VDDQ	200	DQ37	230	DQ61
21	DQ10	51	VDDQ	81	DQ33	111	DQ57	141	DQ15	171	CKE1	201	Vss	231	Vss
22	DQ11	52	CKE0	82	Vss	112	Vss	142	Vss	172	VDD	202	DM4/ DQS13	232	DM7/ DQS16
23	Vss	53	VDD	83	DQS4#	113	DQS7#	143	DQ20	173	NC/A15 <sup>4</sup>	203	NC/DQS13#	233	NC/DQS16#
24	DQ16	54	NC/BA2	84	DQS4	114	DQS7	144	DQ21	174	NC/A14 <sup>4</sup>	204	Vss	234	Vss
25	DQ17	55 <sup>1</sup>	NC/ ERR_OUT	85	Vss	115	Vss	145	Vss	175	VDDQ	205	DQ38	235	DQ62
26	Vss	56	VDDQ	86	DQ34	116	DQ58	146	DM2/ DQS11	176	A12	206	DQ39	236	DQ63
27	DQS2#	57	A11	87	DQ35	117	DQ59	147	NC/ DQS11#	177	A9	207	Vss	237	Vss
28	DQS2	58	A7	88	Vss	118	Vss	148	Vss	178	VDD	208	DQ44	238	VDDSPD
29	Vss	59	VDD	89	DQ40	119	SDA	149	DQ22	179	A8	209	DQ45	239	SA0
30	DQ18	60	A5	90	DQ41	120	SCL	150	DQ23	180	A6	210	Vss	240	SA1

- Notes:
1. Pin 55 is NC for non-parity and ERR\_OUT for parity.
  2. Pin 68 is NC for non-parity and PAR\_IN for parity.
  3. Pin 196 is NC for 512MB or A13 for 1GB, 2GB and parity
  4. Pins 173 and 174 are NC or A15 and A14 for parity



**Table 7: Pin Descriptions**

Pin numbers may not correlate with symbols; refer to Table 6 on page 3 for more information

Symbol	Type	Description
A[15:0]	Input	<b>Address inputs:</b> Provide the row address for ACTIVE commands, and the column address and auto precharge bit (A10) for READ/WRITE commands, to select one location out of the memory array in the respective bank. A10 sampled during a PRECHARGE command determines whether the PRECHARGE applies to one device bank (A10 LOW, device bank selected by BA[2/1:0]) or all device banks (A10 HIGH). A[12:0] (256MB) and A[13:0] (512MB 1GB). A[15:14] are connected for parity
BA[2:0]	Input	<b>Bank address inputs:</b> BA[2/1:0] define the device bank to which an ACTIVE, READ, WRITE, or PRECHARGE command is being applied. BA[2/1:0] define which mode register (MR, EMR1, EMR2, and EMR3) is loaded during the LOAD MODE command. BA[1:0] (256MB, 512MB) and BA[2:0] (1GB).
CK0, CK0#	Input	<b>Clock:</b> CK and CK# are differential clock inputs. All control, command, and address input signals are sampled on the crossing of the positive edge of CK and the negative edge of CK#. Output data (DQ, DQS, and DQS#) is referenced to the crossings of CK and CK#.
CKE0	Input	<b>Clock enable:</b> CKE enables (registered HIGH) and disables (registered LOW) internal circuitry and clocks on the DDR2 SDRAM.
DM[8:0]/ DQS[17:9]	Input	<b>Input data mask:</b> DM is an input mask signal for write data. Input data is masked when DM is sampled HIGH, along with the input data, during a write access. DM is sampled on both edges of DQS. Although the DM pins are input-only, DM loading is designed to match that of the DQ and DQS pins. If RDQS is disabled, RDQS[8:0] become DM[8:0] and RDQS#[8:0] are not used.
ODT0	Input	<b>On-die termination:</b> ODT enables (registered HIGH) and disables (registered LOW) termination resistance internal to the DDR2 SDRAM. When enabled in normal operation, ODT is only applied to the following pins: DQ, DQS, DQS#, DM, and CB. The ODT input will be ignored if disabled via the LOAD MODE command.
PAR_IN	Input	<b>Parity input:</b> Parity bit for the address, RAS#, CAS#, and WE#.
RAS#, CAS#, WE#	Input	<b>Command inputs:</b> RAS#, CAS#, and WE# (along with S#) define the command being entered.
RESET#	Input	<b>Reset:</b> Asynchronously forces all registered outputs LOW when RESET# is LOW. This signal can be used during power-up to ensure that CKE is LOW and DQ are High-Z.
S0#	Input	<b>Chip select:</b> S# enables (registered LOW) and disables (registered HIGH) the command decoder.
SA[2:0]	Input	<b>Serial address inputs:</b> These pins are used to configure the SPD EEPROM address range on the I <sup>2</sup> C bus.
SCL	Input	<b>Serial clock for SPD EEPROM:</b> SCL is used to synchronize communication to and from the SPD EEPROM.
CB[7:0]	I/O	Check bits.
DQ[63:0]	I/O	<b>Data input/output:</b> Bidirectional data bus.
DQS[8:0], DQS#[8:0]	I/O	<b>Data strobe:</b> DQS# is only used when differential data strobe mode is enabled via the LOAD MODE command. Output with read data. Edge-aligned with read data. Input with write data. Center-aligned with write data.
SDA	I/O	<b>Serial data:</b> SDA is a bidirectional pin used to transfer addresses and data into and out of the SPD EEPROM on the module on the I <sup>2</sup> C bus.
ERR_OUT	Output (open drain)	<b>Parity error output:</b> Parity error found on the command and address bus.
EVENT#	Output (open drain)	<b>Temperature event:</b> The EVENT# pin is asserted by the temperature sensor when critical temperature thresholds have been exceeded.
VDD/VDDQ	Supply	<b>Power supply:</b> 1.8V ±0.1V. The component VDD and VDDQ are connected to the module VDD.
VDDSPD	Supply	<b>SPD EEPROM power supply:</b> +1.7V to +3.6V.



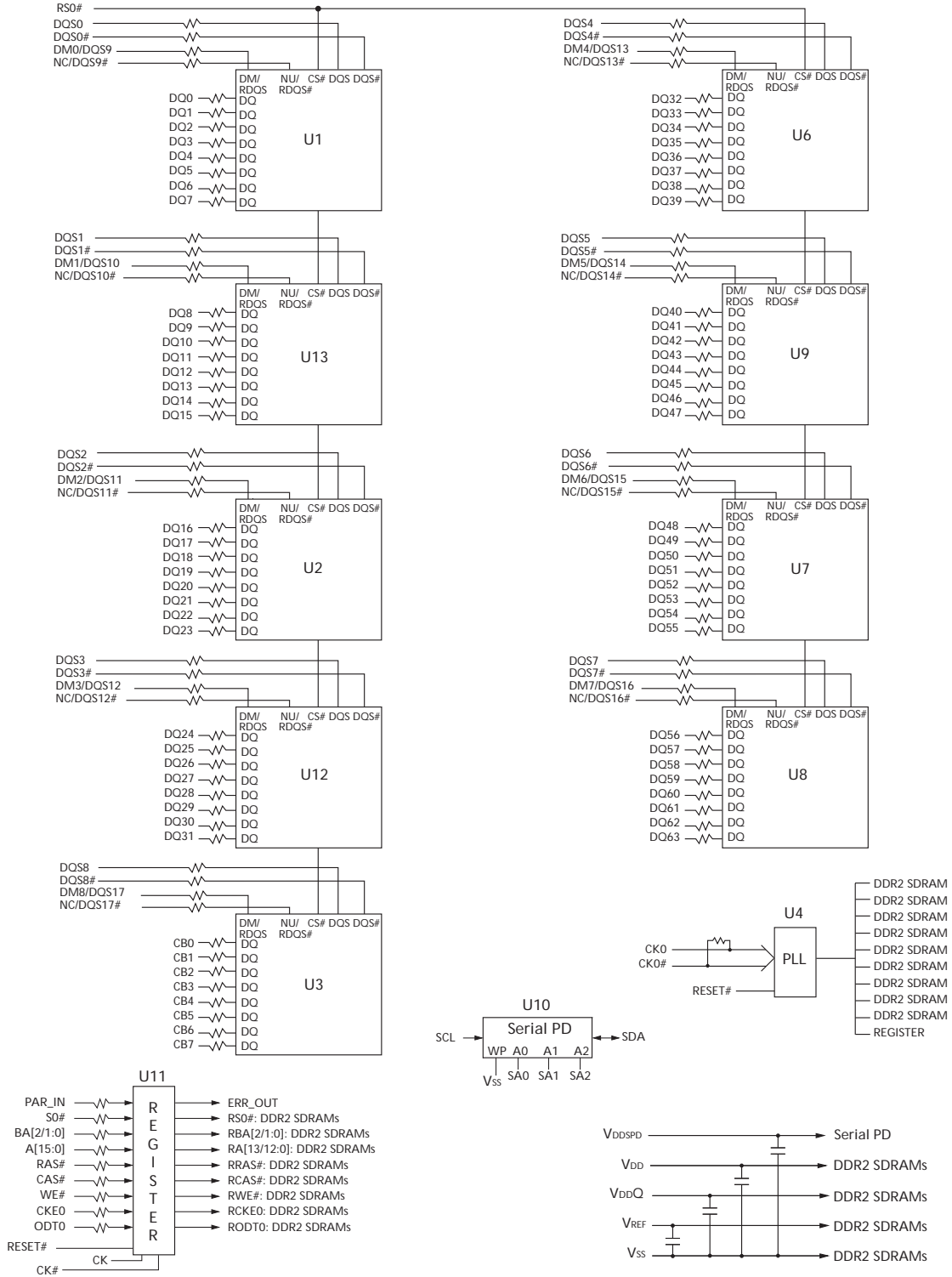
**Table 7: Pin Descriptions (continued)**

Pin numbers may not correlate with symbols; refer to Table 6 on page 3 for more information

Symbol	Type	Description
VREF	Supply	<b>Reference voltage:</b> $V_{DD}/2$ .
VSS	Supply	Ground.
NC	-	<b>No connect:</b> These pins are not connected on the module.
RFU	-	Reserved for future use.

## Functional Block Diagram

Figure 2: Functional Block Diagram



Notes: 1. Unless otherwise noted, all resistors are 20Ω

## General Description

The MT9HVF3272, MT9HVF6472, and MT9HVF12872 DDR2 SDRAM modules are high-speed, CMOS, dynamic random-access 256MB, 512MB, and 1GB memory modules organized in a x72 configuration. These DDR2 SDRAM modules use internally configured quad-bank (256Mb, 512Mb) or 8-bank (1Gb) DDR2 SDRAM devices.

DDR2 SDRAM modules use double data rate architecture to achieve high-speed operation. The double data rate architecture is essentially a  $4n$ -prefetch architecture with an interface designed to transfer two data words per clock cycle at the I/O pins. A single read or write access for the DDR2 SDRAM module effectively consists of a single  $4n$ -bit-wide, one-clock-cycle data transfer at the internal DRAM core and four corresponding  $n$ -bit-wide, one-half-clock-cycle data transfers at the I/O pins.

A bidirectional data strobe (DQS, DQS#) is transmitted externally, along with data, for use in data capture at the receiver. DQS is a strobe transmitted by the DDR2 SDRAM device during READs and by the memory controller during WRITEs. DQS is edge-aligned with data for READs and center-aligned with data for WRITEs.

DDR2 SDRAM modules operate from a differential clock (CK and CK#); the crossing of CK going HIGH and CK# going LOW will be referred to as the positive edge of CK. Commands (address and control signals) are registered at every positive edge of CK. Input data is registered on both edges of DQS, and output data is referenced to both edges of DQS, as well as to both edges of CK.

## Register and PLL Operation

DDR2 SDRAM modules operate in registered mode, where the command/address input signals are latched in the registers on the rising clock edge and sent to the DDR2 SDRAM devices on the following rising clock edge (data access is delayed by one clock cycle). A phase-lock loop (PLL) on the module receives and redrives the differential clock signals (CK, CK#) to the DDR2 SDRAM devices. The registers and PLL minimize system and clock loading. PLL clock timing is defined by JEDEC specifications and ensured by use of the JEDEC clock reference board. Registered mode will add one clock cycle to CL.

## Serial Presence-Detect Operation

DDR2 SDRAM modules incorporate serial presence-detect. The SPD data is stored in a 256-byte EEPROM. The first 128 bytes are programmed by Micron to identify the module type and various SDRAM organizations and timing parameters. The remaining 128 bytes of storage are available for use by the customer. System READ/WRITE operations between the master (system logic) and the slave EEPROM device occur via a standard I<sup>2</sup>C bus using the DIMM's SCL (clock) and SDA (data) signals, together with SA[2:0], which provide eight unique DIMM/EEPROM addresses. Write protect (WP) is connected to VSS, permanently disabling hardware write protect.



## Electrical Specifications

Stresses greater than those listed in Table 8 may cause permanent damage to the device. This is a stress rating only, and functional operation of the device at these or any other conditions above those indicated in the operational sections of this specification is not implied. Exposure to absolute maximum rating conditions for extended periods may affect reliability.

**Table 8: Absolute Maximum Ratings**

Symbol	Parameter	Min	Max	Units	
VDD	VDD supply voltage relative to Vss	-1.0	2.3	V	
VDDQ	VDDQ supply voltage relative to Vss	-0.5	2.3	V	
VDDL	VDDL supply voltage relative to Vss	-0.5	2.3	V	
VIN, VOUT	Voltage on any pin relative to Vss	-0.5	2.3	V	
I <sub>I</sub>	Input leakage current; Any input 0V ≤ VIN ≤ VDD; VREF input 0V ≤ VIN ≤ 0.95V; All other pins not under test = 0V	Command/Address, RAS#, CAS#, WE# S#, CK, DM, ODT	-5	5	μA
		CK, CK#	-10	10	
I <sub>OZ</sub>	Output leakage current; 0V ≤ VOUT ≤ VDDQ; DQs and ODT are disabled	DQ, DQS, DQS#	-5	5	μA
I <sub>VREF</sub>	VREF leakage current; VREF = Valid VREF level		-18	18	μA
T <sub>STG</sub>	Storage temperature		-55	100	°C
T <sub>JUNCTION</sub> Commercial	DDR2 SDRAM device operating temperature (die temperature) <sup>1</sup>		0	90	°C
T <sub>CASE</sub> Commercial	DDR2 SDRAM device operating temperature (case temperature) <sup>1</sup>		0	85	°C

Notes: 1. For further information refer to Micron Technical Note, TN-00-08 at [www.micron.com/support/designsupport/documents/technotes](http://www.micron.com/support/designsupport/documents/technotes).

## Capacitance

At DDR2 data rates, Micron encourages designers to simulate the performance of the module to achieve optimum values. When inductance and delay parameters associated with trace lengths are used in simulations, they are significantly more accurate and realistic than a gross estimation of module capacitance. Simulations can then render a considerably more accurate result. JEDEC modules are now designed by using simulations to close timing budgets.

## AC Timing and Operating Conditions

Recommended AC operating conditions are given in the DDR2 component data sheets. Component specifications are available on Micron's Web site: [www.micron.com](http://www.micron.com). Module speed grades correlate with the component speed grades shown in Table 9.

**Table 9: Module and Component Speed Grade Table**

Module Speed Grade	Component Speed Grade
-80E	-25E
-800	-25
-667	-3
-53E	-37E
-40E	-5E





## I<sub>DD</sub> Specifications

**Table 10: DDR2 I<sub>DD</sub> Specifications and Conditions – 256MB**

Values shown are for MT47H32M8 DDR2 SDRAM only and are computed from values specified in the 256Mb (32 Meg x 8) component data sheet.

Parameter/Condition	Symbol	-667	-53E	-40E	Units	
<b>Operating one bank active-precharge current:</b> $t_{CK} = t_{CK} (I_{DD})$ , $t_{RC} = t_{RC} (I_{DD})$ , $t_{RAS} = t_{RAS} \text{ MIN} (I_{DD})$ ; CKE is HIGH, S# is HIGH between valid commands; Address bus inputs are switching; Data bus inputs are switching	I <sub>DD0</sub>	810	720	675	mA	
<b>Operating one bank active-read-precharge current:</b> I <sub>OUT</sub> = 0mA; BL = 4, CL = CL (I <sub>DD</sub> ), AL = 0; $t_{CK} = t_{CK} (I_{DD})$ , $t_{RC} = t_{RC} (I_{DD})$ , $t_{RAS} = t_{RAS} \text{ MIN} (I_{DD})$ , $t_{RCD} = t_{RCD} (I_{DD})$ ; CKE is HIGH, S# is HIGH between valid commands; Address bus inputs are switching; Data pattern is same as I <sub>DD4W</sub>	I <sub>DD1</sub>	900	810	765	mA	
<b>Precharge power-down current:</b> All device banks idle; $t_{CK} = t_{CK} (I_{DD})$ ; CKE is LOW; Other control and address bus inputs are stable; Data bus inputs are floating	I <sub>DD2P</sub>	45	45	45	mA	
<b>Precharge quiet standby current:</b> All device banks idle; $t_{CK} = t_{CK} (I_{DD})$ ; CKE is HIGH, S# is HIGH; Other control and address bus inputs are stable; Data bus inputs are floating	I <sub>DD2Q</sub>	360	315	225	mA	
<b>Precharge standby current:</b> All device banks idle; $t_{CK} = t_{CK} (I_{DD})$ ; CKE is HIGH, S# is HIGH; Other control and address bus inputs are switching; Data bus inputs are switching	I <sub>DD2N</sub>	360	315	270	mA	
<b>Active power-down current:</b> All device banks open; $t_{CK} = t_{CK} (I_{DD})$ ; CKE is LOW; Other control and address bus inputs are stable; Data bus inputs are floating	Fast PDN exit MR[12] = 0	I <sub>DD3P</sub>	270	225	180	mA
		Slow PDN exit MR[12] = 1	54	54	54	mA
<b>Active standby current:</b> All device banks open; $t_{CK} = t_{CK} (I_{DD})$ , $t_{RAS} = t_{RAS} \text{ MAX} (I_{DD})$ , $t_{RP} = t_{RP} (I_{DD})$ ; CKE is HIGH, S# is HIGH between valid commands; Other control and address bus inputs are switching; Data bus inputs are switching	I <sub>DD3N</sub>	450	360	270	mA	
<b>Operating burst write current:</b> All device banks open; Continuous burst writes; BL = 4, CL = CL (I <sub>DD</sub> ), AL = 0; $t_{CK} = t_{CK} (I_{DD})$ , $t_{RAS} = t_{RAS} \text{ MAX} (I_{DD})$ , $t_{RP} = t_{RP} (I_{DD})$ ; CKE is HIGH, S# is HIGH between valid commands; Address bus inputs are switching; Data bus inputs are switching	I <sub>DD4W</sub>	1,710	1,440	1,125	mA	
<b>Operating burst read current:</b> All device banks open; Continuous burst reads, I <sub>OUT</sub> = 0mA; BL = 4, CL = CL (I <sub>DD</sub> ), AL = 0; $t_{CK} = t_{CK} (I_{DD})$ , $t_{RAS} = t_{RAS} \text{ MAX} (I_{DD})$ , $t_{RP} = t_{RP} (I_{DD})$ ; CKE is HIGH, S# is HIGH between valid commands; Address bus inputs are switching; Data bus inputs are switching	I <sub>DD4R</sub>	1,620	1,350	1,035	mA	
<b>Burst refresh current:</b> $t_{CK} = t_{CK} (I_{DD})$ ; REFRESH command at every $t_{RFC} (I_{DD})$ interval; CKE is HIGH, S# is HIGH between valid commands; Other control and address bus inputs are switching; Data bus inputs are switching	I <sub>DD5</sub>	1,620	1,530	1,485	mA	
<b>Self refresh current:</b> CK and CK# at 0V; CKE ≤ 0.2V; Other control and address bus inputs are floating; Data bus inputs are floating	I <sub>DD6</sub>	45	45	45	mA	
<b>Operating bank interleave read current:</b> All device banks interleaving reads, I <sub>OUT</sub> = 0mA; BL = 4, CL = CL (I <sub>DD</sub> ), AL = $t_{RCD} (I_{DD}) - 1 \times t_{CK} (I_{DD})$ ; $t_{CK} = t_{CK} (I_{DD})$ , $t_{RC} = t_{RC} (I_{DD})$ , $t_{RRD} = t_{RRD} (I_{DD})$ , $t_{RCD} = t_{RCD} (I_{DD})$ ; CKE is HIGH, S# is HIGH between valid commands; Address bus inputs are stable during deselects; Data bus inputs are switching	I <sub>DD7</sub>	2,250	2,160	2,070	mA	



**Table 11: DDR2 IDD Specifications and Conditions - 512MB**

Values shown are for MT47H64M8 DDR2 SDRAM only and are computed from values specified in the 512Mb (64 Meg x 8) component data sheet.

Parameter/Condition	Symbol	-80E/ -800	-667	-53E	-40E	
<b>Operating one bank active-precharge current:</b> $t_{CK} = t_{CK} (IDD)$ , $t_{RC} = t_{RC} (IDD)$ , $t_{RAS} = t_{RAS} MIN (IDD)$ ; CKE is HIGH, S# is HIGH between valid commands; Address bus inputs are switching; Data bus inputs are switching	IDD0	900	810	720	720	
<b>Operating one bank active-read-precharge current:</b> $I_{OUT} = 0mA$ ; BL = 4, CL = CL (IDD), AL = 0; $t_{CK} = t_{CK} (IDD)$ , $t_{RC} = t_{RC} (IDD)$ , $t_{RAS} = t_{RAS} MIN (IDD)$ , $t_{RCD} = t_{RCD} (IDD)$ ; CKE is HIGH, S# is HIGH between valid commands; Address bus inputs are switching; Data pattern is same as IDD4W	IDD1	1,035	945	855	810	
<b>Precharge power-down current:</b> All device banks idle; $t_{CK} = t_{CK} (IDD)$ ; CKE is LOW; Other control and address bus inputs are stable; Data bus inputs are floating	IDD2P	63	63	63	63	
<b>Precharge quiet standby current:</b> All device banks idle; $t_{CK} = t_{CK} (IDD)$ ; CKE is HIGH, S# is HIGH; Other control and address bus inputs are stable; Data bus inputs are floating	IDD2Q	450	405	360	315	
<b>Precharge standby current:</b> All device banks idle; $t_{CK} = t_{CK} (IDD)$ ; CKE is HIGH, S# is HIGH; Other control and address bus inputs are switching; Data bus inputs are switching	IDD2N	495	450	405	360	
<b>Active power-down current:</b> All device banks open; $t_{CK} = t_{CK} (IDD)$ ; CKE is LOW; Other control and address bus inputs are stable; Data bus inputs are floating	Fast PDN exit MR[12] = 0	IDD3P	360	315	270	225
		Slow PDN exit MR[12] = 1	108	108	108	108
<b>Active standby current:</b> All device banks open; $t_{CK} = t_{CK} (IDD)$ , $t_{RAS} = t_{RAS} MAX (IDD)$ , $t_{RP} = t_{RP} (IDD)$ ; CKE is HIGH, S# is HIGH between valid commands; Other control and address bus inputs are switching; Data bus inputs are switching	IDD3N	630	585	495	405	
<b>Operating burst write current:</b> All device banks open; Continuous burst writes; BL = 4, CL = CL (IDD), AL = 0; $t_{CK} = t_{CK} (IDD)$ , $t_{RAS} = t_{RAS} MAX (IDD)$ , $t_{RP} = t_{RP} (IDD)$ ; CKE is HIGH, S# is HIGH between valid commands; Address bus inputs are switching; Data bus inputs are switching	IDD4W	1,755	1,530	1,260	1,035	
<b>Operating burst read current:</b> All device banks open; Continuous burst reads, $I_{OUT} = 0mA$ ; BL = 4, CL = CL (IDD), AL = 0; $t_{CK} = t_{CK} (IDD)$ , $t_{RAS} = t_{RAS} MAX (IDD)$ , $t_{RP} = t_{RP} (IDD)$ ; CKE is HIGH, S# is HIGH between valid commands; Address bus inputs are switching; Data bus inputs are switching	IDD4R	1,845	1,620	1,305	1,035	
<b>Burst refresh current:</b> $t_{CK} = t_{CK} (IDD)$ ; REFRESH command at every $t_{RFC} (IDD)$ interval; CKE is HIGH, S# is HIGH between valid commands; Other control and address bus inputs are switching; Data bus inputs are switching	IDD5	2,070	1,620	1,530	1,485	
<b>Self refresh current:</b> CK and CK# at 0V; $CKE \leq 0.2V$ ; Other control and address bus inputs are floating; Data bus inputs are floating	IDD6	63	63	63	63	
<b>Operating bank interleave read current:</b> All device banks interleaving reads, $I_{OUT} = 0mA$ ; BL = 4, CL = CL (IDD), AL = $t_{RCD} (IDD) - 1 \times t_{CK} (IDD)$ ; $t_{CK} = t_{CK} (IDD)$ , $t_{RC} = t_{RC} (IDD)$ , $t_{RRD} = t_{RRD} (IDD)$ , $t_{RCD} = t_{RCD} (IDD)$ ; CKE is HIGH, S# is HIGH between valid commands; Address bus inputs are stable during deselects; Data bus inputs are switching	IDD7	2,700	2,160	2,025	1,980	



**Table 12: DDR2 IDD Specifications and Conditions (Die Revision A) – 1GB**

Values shown are for MT47H128M8 DDR2 SDRAM only and are computed from values specified in the 1Gb (128 Meg x 8) component data sheet.

Parameter/Condition	Symbol	-80E/ -800	-667	-53E	-40E	
<b>Operating one bank active-precharge current:</b> $t_{CK} = t_{CK} (IDD)$ , $t_{RC} = t_{RC} (IDD)$ , $t_{RAS} = t_{RAS} MIN (IDD)$ ; CKE is HIGH, S# is HIGH between valid commands; Address bus inputs are switching; Data bus inputs are switching	IDD0	900	810	720	630	
<b>Operating one bank active-read-precharge current:</b> $I_{OUT} = 0mA$ ; BL = 4, CL = CL (IDD), AL = 0; $t_{CK} = t_{CK} (IDD)$ , $t_{RC} = t_{RC} (IDD)$ , $t_{RAS} = t_{RAS} MIN (IDD)$ , $t_{RCD} = t_{RCD} (IDD)$ ; CKE is HIGH, S# is HIGH between valid commands; Address bus inputs are switching; Data pattern is same as IDD4W	IDD1	990	900	855	720	
<b>Precharge power-down current:</b> All device banks idle; $t_{CK} = t_{CK} (IDD)$ ; CKE is LOW; Other control and address bus inputs are stable; Data bus inputs are floating	IDD2P	63	63	63	63	
<b>Precharge quiet standby current:</b> All device banks idle; $t_{CK} = t_{CK} (IDD)$ ; CKE is HIGH, S# is HIGH; Other control and address bus inputs are stable; Data bus inputs are floating	IDD2Q	585	495	369	315	
<b>Precharge standby current:</b> All device banks idle; $t_{CK} = t_{CK} (IDD)$ ; CKE is HIGH, S# is HIGH; Other control and address bus inputs are switching; Data bus inputs are switching	IDD2N	630	540	405	360	
<b>Active power-down current:</b> All device banks open; $t_{CK} = t_{CK} (IDD)$ ; CKE is LOW; Other control and address bus inputs are stable; Data bus inputs are floating	Fast PDN exit MR[12] = 0	IDD3P	405	360	315	315
		Slow PDN exit MR[12] = 1	126	126	126	126
<b>Active standby current:</b> All device banks open; $t_{CK} = t_{CK} (IDD)$ , $t_{RAS} = t_{RAS} MAX (IDD)$ , $t_{RP} = t_{RP} (IDD)$ ; CKE is HIGH, S# is HIGH between valid commands; Other control and address bus inputs are switching; Data bus inputs are switching	IDD3N	675	630	495	405	
<b>Operating burst write current:</b> All device banks open; Continuous burst writes; BL = 4, CL = CL (IDD), AL = 0; $t_{CK} = t_{CK} (IDD)$ , $t_{RAS} = t_{RAS} MAX (IDD)$ , $t_{RP} = t_{RP} (IDD)$ ; CKE is HIGH, S# is HIGH between valid commands; Address bus inputs are switching; Data bus inputs are switching	IDD4W	1,665	1,440	1,170	990	
<b>Operating burst read current:</b> All device banks open; Continuous burst reads, $I_{OUT} = 0mA$ ; BL = 4, CL = CL (IDD), AL = 0; $t_{CK} = t_{CK} (IDD)$ , $t_{RAS} = t_{RAS} MAX (IDD)$ , $t_{RP} = t_{RP} (IDD)$ ; CKE is HIGH, S# is HIGH between valid commands; Address bus inputs are switching; Data bus inputs are switching	IDD4R	1,710	1,440	1,305	990	
<b>Burst refresh current:</b> $t_{CK} = t_{CK} (IDD)$ ; REFRESH command at every $t_{RFC} (IDD)$ interval; CKE is HIGH, S# is HIGH between valid commands; Other control and address bus inputs are switching; Data bus inputs are switching	IDD5	2,520	2,340	2,250	1,980	
<b>Self refresh current:</b> CK and CK# at 0V; CKE $\leq 0.2V$ ; Other control and address bus inputs are floating; Data bus inputs are floating	IDD6	63	63	63	63	
<b>Operating bank interleave read current:</b> All device banks interleaving reads, $I_{OUT} = 0mA$ ; BL = 4, CL = CL (IDD), AL = $t_{RCD} (IDD) - 1 \times t_{CK} (IDD)$ ; $t_{CK} = t_{CK} (IDD)$ , $t_{RC} = t_{RC} (IDD)$ , $t_{RRD} = t_{RRD} (IDD)$ , $t_{RCD} = t_{RCD} (IDD)$ ; CKE is HIGH, S# is HIGH between valid commands; Address bus inputs are stable during deselects; Data bus inputs are switching	IDD7	3,015	2,700	2,610	2,340	

**Table 13: DDR2 IDD Specifications and Conditions (Die Revision E) – 1GB**

Values shown for MT47H64M8 DDR2 SDRAM only and are computed from values specified in the 512Mb (64 Meg x 8) component data sheet.

Parameter/Condition	Symbol	-80E	-667	-53E	-40E	
<b>Operating one bank active-precharge current:</b> $t_{CK} = t_{CK} (IDD)$ , $t_{RC} = t_{RC} (IDD)$ , $t_{RAS} = t_{RAS} MIN (IDD)$ ; CKE is HIGH, S# is HIGH between valid commands; Address bus inputs are switching; Data bus inputs are switching	IDD0 <sup>1</sup>	963	873	783	783	
<b>Operating one bank active-read-precharge current:</b> I <sub>OUT</sub> = 0mA; BL = 4, CL = CL (IDD), AL = 0; $t_{CK} = t_{CK} (IDD)$ , $t_{RC} = t_{RC} (IDD)$ , $t_{RAS} = t_{RAS} MIN (IDD)$ , $t_{RCD} = t_{RCD} (IDD)$ ; CKE is HIGH, S# is HIGH between valid commands; Address bus inputs are switching; Data pattern is same as IDD4W	IDD1 <sup>1</sup>	1,098	1,008	918	873	
<b>Precharge power-down current:</b> All device banks idle; $t_{CK} = t_{CK} (IDD)$ ; CKE is LOW; Other control and address bus inputs are stable; Data bus inputs are floating	IDD2P <sup>2</sup>	126	126	126	126	
<b>Precharge quiet standby current:</b> All device banks idle; $t_{CK} = t_{CK} (IDD)$ ; CKE is HIGH, S# is HIGH; Other control and address bus inputs are stable; Data bus inputs are floating	IDD2Q <sup>2</sup>	900	810	720	630	
<b>Precharge standby current:</b> All device banks idle; $t_{CK} = t_{CK} (IDD)$ ; CKE is HIGH, S# is HIGH; Other control and address bus inputs are switching; Data bus inputs are switching	IDD2N <sup>2</sup>	990	900	810	720	
<b>Active power-down current:</b> All device banks open; $t_{CK} = t_{CK} (IDD)$ ; CKE is LOW; Other control and address bus inputs are stable; Data bus inputs are floating	Fast PDN exit MR[12] = 0	IDD3P <sup>2</sup>	720	630	540	450
		Slow PDN exit MR[12] = 1	216	216	216	216
<b>Active standby current:</b> All device banks open; $t_{CK} = t_{CK} (IDD)$ , $t_{RAS} = t_{RAS} MAX (IDD)$ , $t_{RP} = t_{RP} (IDD)$ ; CKE is HIGH, S# is HIGH between valid commands; Other control and address bus inputs are switching; Data bus inputs are switching	IDD3N <sup>2</sup>	1,260	1,170	990	810	
<b>Operating burst write current:</b> All device banks open; Continuous burst writes; BL = 4, CL = CL (IDD), AL = 0; $t_{CK} = t_{CK} (IDD)$ , $t_{RAS} = t_{RAS} MAX (IDD)$ , $t_{RP} = t_{RP} (IDD)$ ; CKE is HIGH, S# is HIGH between valid commands; Address bus inputs are switching; Data bus inputs are switching	IDD4W <sup>1</sup>	1,818	1,593	1,323	1,098	
<b>Operating burst read current:</b> All device banks open; Continuous burst reads, I <sub>OUT</sub> = 0mA; BL = 4, CL = CL (IDD), AL = 0; $t_{CK} = t_{CK} (IDD)$ , $t_{RAS} = t_{RAS} MAX (IDD)$ , $t_{RP} = t_{RP} (IDD)$ ; CKE is HIGH, S# is HIGH between valid commands; Address bus inputs are switching; Data bus inputs are switching	IDD4R <sup>1</sup>	1,908	1,683	1,368	1,098	
<b>Burst refresh current:</b> $t_{CK} = t_{CK} (IDD)$ ; REFRESH command at every $t_{RFC} (IDD)$ interval; CKE is HIGH, S# is HIGH between valid commands; Other control and address bus inputs are switching; Data bus inputs are switching	IDD5 <sup>2</sup>	4,140	3,240	3,060	2,970	
<b>Self refresh current:</b> CK and CK# at 0V; CKE ≤ 0.2V; Other control and address bus inputs are floating; Data bus inputs are floating	IDD6 <sup>2</sup>	126	126	126	126	
<b>Operating bank interleave read current:</b> All device banks interleaving reads, I <sub>OUT</sub> = 0mA; BL = 4, CL = CL (IDD), AL = $t_{RCD} (IDD) - 1 \times t_{CK} (IDD)$ ; $t_{CK} = t_{CK} (IDD)$ , $t_{RC} = t_{RC} (IDD)$ , $t_{RRD} = t_{RRD} (IDD)$ , $t_{RCD} = t_{RCD} (IDD)$ ; CKE is HIGH, S# is HIGH between valid commands; Address bus inputs are stable during DESELECTs; Data bus inputs are switching	IDD7 <sup>1</sup>	2,763	2,223	2,088	2,043	

- Notes:
- Value calculated as one module rank in this operating condition; all other module ranks in IDD2P (CKE LOW) mode
  - Value calculated reflects all module ranks in this operating condition

## Register and PLL Specifications

**Table 14: Register Specifications**  
SSTU32866 devices or equivalent

Parameter	Symbol	Pins	Condition	Min	Max	Units
DC high-level input voltage	V <sub>IH(DC)</sub>	Control, command, address	SSTL_18	V <sub>REF(DC)</sub> + 125	V <sub>DDQ</sub> + 250	mV
DC low-level input voltage	V <sub>IL(DC)</sub>	Control, command, address	SSTL_18	0	V <sub>REF(DC)</sub> - 125	mV
AC high-level input voltage	V <sub>IH(AC)</sub>	Control, command, address	SSTL_18	V <sub>REF(DC)</sub> + 250	V <sub>DD</sub>	mV
AC low-level input voltage	V <sub>IL(AC)</sub>	Control, command, address	SSTL_18	0	V <sub>REF(DC)</sub> - 250	mV
Output high voltage	V <sub>OH</sub>	Parity output	LVC MOS	1.2	–	V
Output low voltage	V <sub>OL</sub>	Parity output	LVC MOS	–	0.5	V
Input current	I <sub>I</sub>	All pins	V <sub>I</sub> = V <sub>DDQ</sub> or V <sub>SSQ</sub>	–5	+5	μA
Static standby	I <sub>DD</sub>	All pins	RESET# = V <sub>SSQ</sub> (I <sub>O</sub> = 0)	–	100	μA
Static operating	I <sub>DD</sub>	All pins	RESET# = V <sub>SSQ</sub> ; V <sub>I</sub> = V <sub>IH(AC)</sub> or V <sub>IL(DC)</sub> I <sub>O</sub> = 0	–	40	mA
Dynamic operating (clock tree)	I <sub>DDD</sub>	n/a	RESET# = V <sub>DD</sub> , V <sub>I</sub> = V <sub>IH(AC)</sub> or V <sub>IL(AC)</sub> , I <sub>O</sub> = 0; CK and CK# switching 50% duty cycle	–	Varies by manufacturer	μA
Dynamic operating (per each input)	I <sub>DDD</sub>	n/a	RESET# = V <sub>DD</sub> , V <sub>I</sub> = V <sub>IH(AC)</sub> or V <sub>IL(AC)</sub> , I <sub>O</sub> = 0; CK and CK# switching 50% duty cycle; One data input switching at <sup>t</sup> CK/2, 50% duty cycle	–	Varies by manufacturer	μA
Input capacitance (per device, per pin)	C <sub>I</sub>	All inputs except RESET#	V <sub>I</sub> = V <sub>REF</sub> ±250mV; V <sub>DDQ</sub> = 1.8V	2.5	3.5	pF
Input capacitance (per device, per pin)	C <sub>I</sub>	RESET#	V <sub>I</sub> = V <sub>DDQ</sub> or V <sub>SSQ</sub>	–	Varies by manufacturer	pF

Notes: 1. Timing and switching specifications for the register listed above are critical for proper operation of the DDR2 SDRAM RDIMMs. These are meant to be a subset of the parameters for the specific device used on the module. Detailed information for this register is available in JEDEC standard JESD82.

**Table 15: PLL Specifications**  
 CU877 device or equivalent JESD82-8.01

Parameter	Symbol	Pins	Condition	Min	Max	Units
DC high-level input voltage	V <sub>IH</sub>	RESET#	LVC MOS	0.65 × V <sub>DD</sub>	–	V
DC low-level input voltage	V <sub>IL</sub>	RESET#	LVC MOS	–	0.35 × V <sub>DD</sub>	V
Input voltage (limits)	V <sub>IN</sub>	RESET#, CK, CK#	–	–0.3	V <sub>DDQ</sub> + 0.3	V
DC high-level input voltage	V <sub>IH</sub>	CK, CK#	Differential input	0.65 × V <sub>DD</sub>	–	V
DC low-level input voltage	V <sub>IL</sub>	CK, CK#	Differential input	–	0.35 × V <sub>DD</sub>	V
Input differential-pair cross voltage	V <sub>IX</sub>	CK, CK#	Differential input	(V <sub>DDQ</sub> /2) - 0.15	(V <sub>DDQ</sub> /2) + 0.15	V
Input differential voltage	V <sub>ID(DC)</sub>	CK, CK#	Differential input	0.3	V <sub>DDQ</sub> + 0.4	V
Input differential voltage	V <sub>ID(AC)</sub>	CK, CK#	Differential input	0.6	V <sub>DDQ</sub> + 0.4	V
Input current	I <sub>I</sub>	RESET#	V <sub>I</sub> = V <sub>DDQ</sub> or V <sub>SSQ</sub>	–10	+10	μA
		CK, CK#	V <sub>I</sub> = V <sub>DDQ</sub> or V <sub>SSQ</sub>	–250	+250	μA
Output disabled current	I <sub>ODL</sub>		RESET# = V <sub>SSQ</sub> ; V <sub>I</sub> = V <sub>IH(AC)</sub> or V <sub>IL(DC)</sub>	100	–	μA
Static supply current	I <sub>DDL</sub>		CK = CK# = LOW	–	500	μA
Dynamic supply	I <sub>DD</sub>	n/a	CK, CK# = 270 MHz, all outputs open (not connected to PCB)	–	300	mA
Input capacitance	C <sub>IN</sub>	Each input	V <sub>I</sub> = V <sub>DDQ</sub> or V <sub>SSQ</sub>	2	3	pF

**Table 16: PLL Clock Driver Timing Requirements and Switching Characteristics**

Parameter	Symbol	Min	Max	Units
Stabilization time	t <sub>L</sub>	–	15	μs
Input clock slew rate	slr(i)	1.0	4.0	V/ns
SSC modulation frequency	–	30	33	kHz
SSC clock input frequency deviation	–	0.0	–0.5	%
PLL loop bandwidth (–3dB from unity gain)	–	2.0	–	MHz

PLL timing and switching specifications are critical for proper operation of the DDR2 DIMM. This is a subset of parameters for the specific PLL used. Detailed PLL information is available in JEDEC standard JESD82.

## Serial Presence-Detect

**Table 17: Serial Presence-Detect EEPROM DC Operating Conditions**

Parameter/Condition	Symbol	Min	Max	Units
Supply voltage	V <sub>DDSPD</sub>	1.7	3.6	V
Input high voltage: Logic 1; All inputs	V <sub>IH</sub>	V <sub>DDSPD</sub> × 0.7	V <sub>DDSPD</sub> + 0.5	V
Input low voltage: Logic 0; All inputs	V <sub>IL</sub>	-0.6	V <sub>DDSPD</sub> × 0.3	V
Output low voltage: I <sub>OUT</sub> = 3mA	V <sub>OL</sub>	-	0.4	V
Input leakage current: V <sub>IN</sub> = GND to V <sub>DD</sub>	I <sub>LI</sub>	0.1	3.0	μA
Output leakage current: V <sub>OUT</sub> = GND to V <sub>DD</sub>	I <sub>LO</sub>	0.05	3.0	μA
Standby current	I <sub>SB</sub>	1.6	4.0	μA
Power supply current, READ: SCL clock frequency = 100 kHz	I <sub>CCR</sub>	0.4	1.0	mA
Power supply current, WRITE: SCL clock frequency = 100 kHz	I <sub>CCW</sub>	2.0	3.0	mA

**Table 18: Serial Presence-Detect EEPROM AC Operating Conditions**

Parameter/Condition	Symbol	Min	Max	Units	Notes
SCL LOW to SDA data-out valid	t <sub>AA</sub>	0.2	0.9	μs	1
Time the bus must be free before a new transition can start	t <sub>BUF</sub>	1.3	-	μs	
Data-out hold time	t <sub>DH</sub>	200	-	ns	
SDA fall time	t <sub>F</sub>	-	300	ns	2
SDA rise time	t <sub>R</sub>	-	300	ns	2
Data-in hold time	t <sub>HD:DAT</sub>	0	-	μs	
Start condition hold time	t <sub>H:STA</sub>	0.6	-	μs	
Clock HIGH period	t <sub>HIGH</sub>	0.6	-	μs	
Noise suppression time constant at SCL, SDA inputs	t <sub>I</sub>	-	50	ns	
Clock LOW period	t <sub>LOW</sub>	1.3	-	μs	
SCL clock frequency	f <sub>SCL</sub>	-	400	kHz	
Data-in setup time	t <sub>SU:DAT</sub>	100	-	ns	
Start condition setup time	t <sub>SU:STA</sub>	0.6	-	μs	3
Stop condition setup time	t <sub>SU:STO</sub>	0.6	-	μs	
WRITE cycle time	t <sub>WRC</sub>	-	10	ms	4

- Notes:
1. To avoid spurious start and stop conditions, a minimum delay is placed between SCL = 1 and the falling or rising edge of SDA.
  2. This parameter is sampled.
  3. For a restart condition or following a WRITE cycle.
  4. The SPD EEPROM WRITE cycle time (t<sub>WRC</sub>) is the time from a valid stop condition of a write sequence to the end of the EEPROM internal ERASE/PROGRAM cycle. During the WRITE cycle, the EEPROM bus interface circuit is disabled, SDA remains HIGH due to pull-up resistance, and the EEPROM does not respond to its slave address.

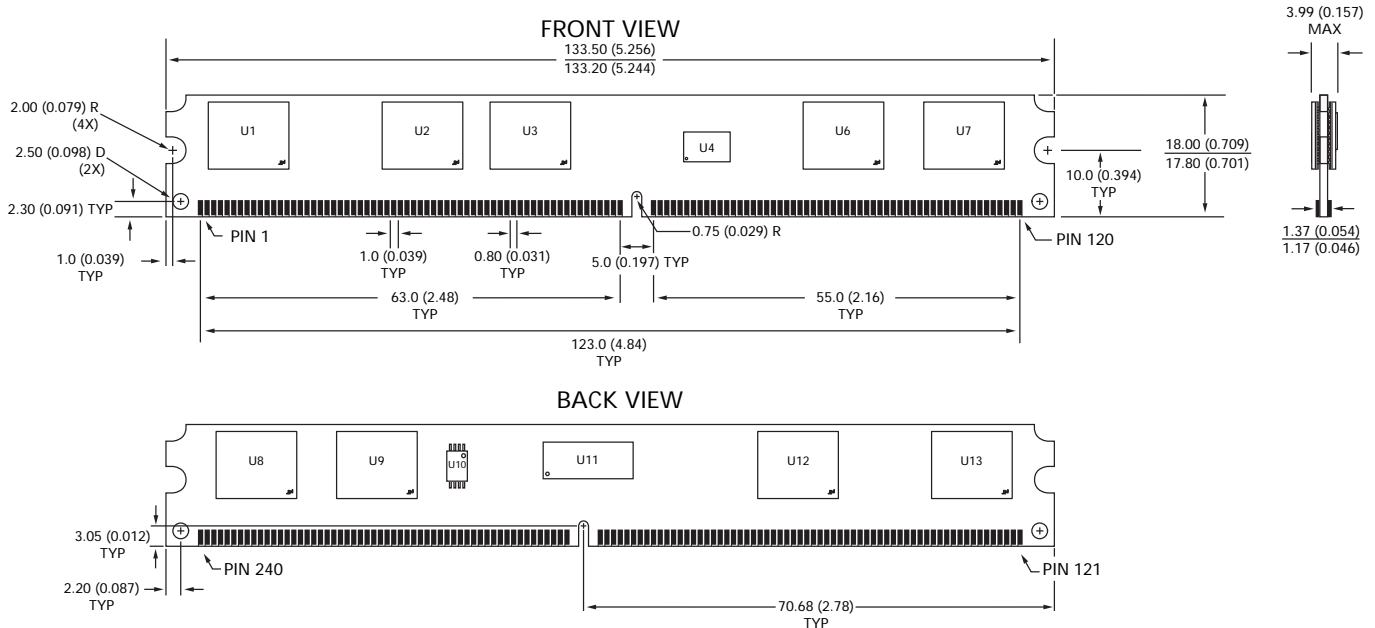
## Serial Presence-Detect Data

For the latest serial presence-detect data, refer to Micron's SPD page:  
[www.micron.com/SPD](http://www.micron.com/SPD).



## Module Dimensions

Figure 3: 240-Pin DDR2 VLP RDIMM



- Notes:
1. All dimensions are in millimeters (inches) MAX/MIN or typical (TYP) where noted.
  2. The dimensional diagram is for reference only. Refer to the JEDEC MO document for complete design dimensions.



8000 S. Federal Way, P.O. Box 6, Boise, ID 83707-0006, Tel: 208-368-3900

prodmktg@micron.com www.micron.com Customer Comment Line: 800-932-4992

Micron, the M logo, and the Micron logo are trademarks of Micron Technology, Inc. All other trademarks are the property of their respective owners.

This data sheet contains minimum and maximum limits specified over the complete power supply and temperature range for production devices. Although considered final, these specifications are subject to change, as further product development and data characterization sometimes occur.